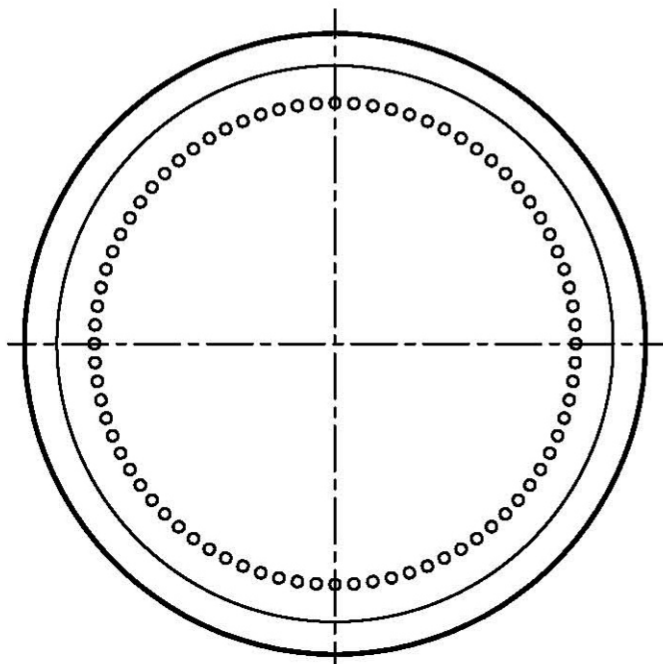
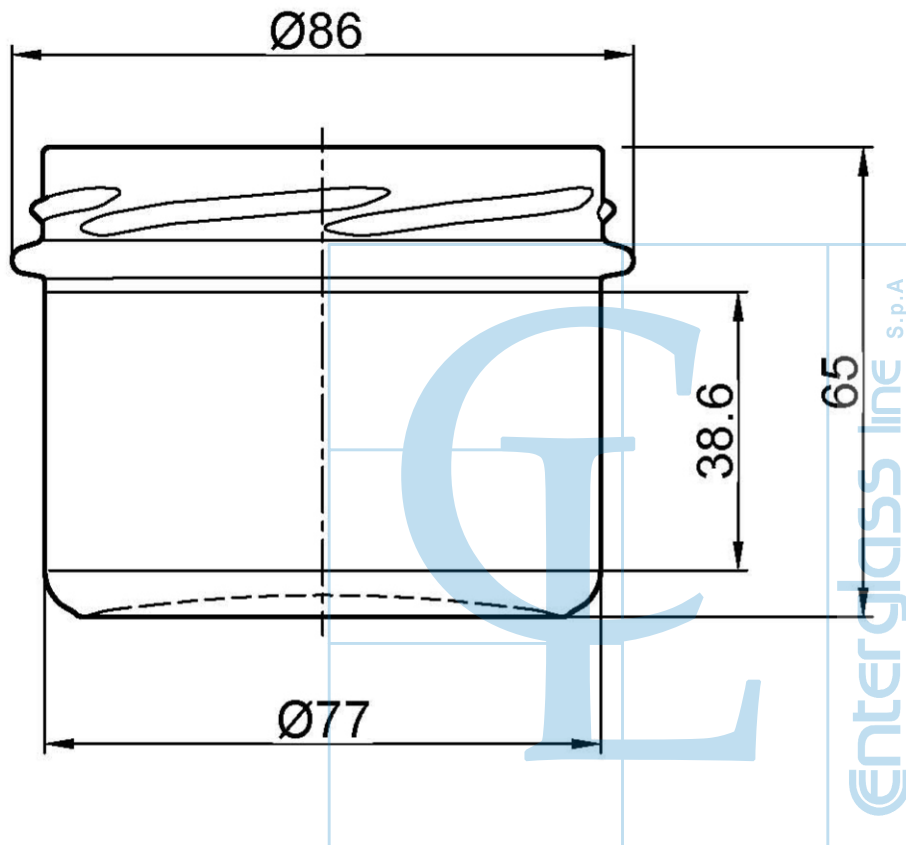


# VERRINE 235ML

## 3.139-III-5-82-1-235



-  Capacity: **235ml**
-  Weight: **160g**
-  Height: **65mm**
-  Diameter: **86mm**
-  Finish: **TO-82**
-  Pallet: **1200x1000mm**
-  Quantity: **-pcs**
-  Weight of: **-kg**  
pallet